

**PROCESSOR**  
252 SHEET 4  
**DSP AUDIO**

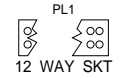
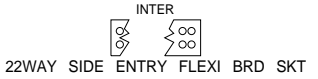
**RECEIVER**  
246 GND RX-ANT SHEET 3

**SYNTH-VCO**  
2922 GND

**VCO**  
sheet 6

**POWER-AMP**  
93 GND RX-ANT SHEET 2

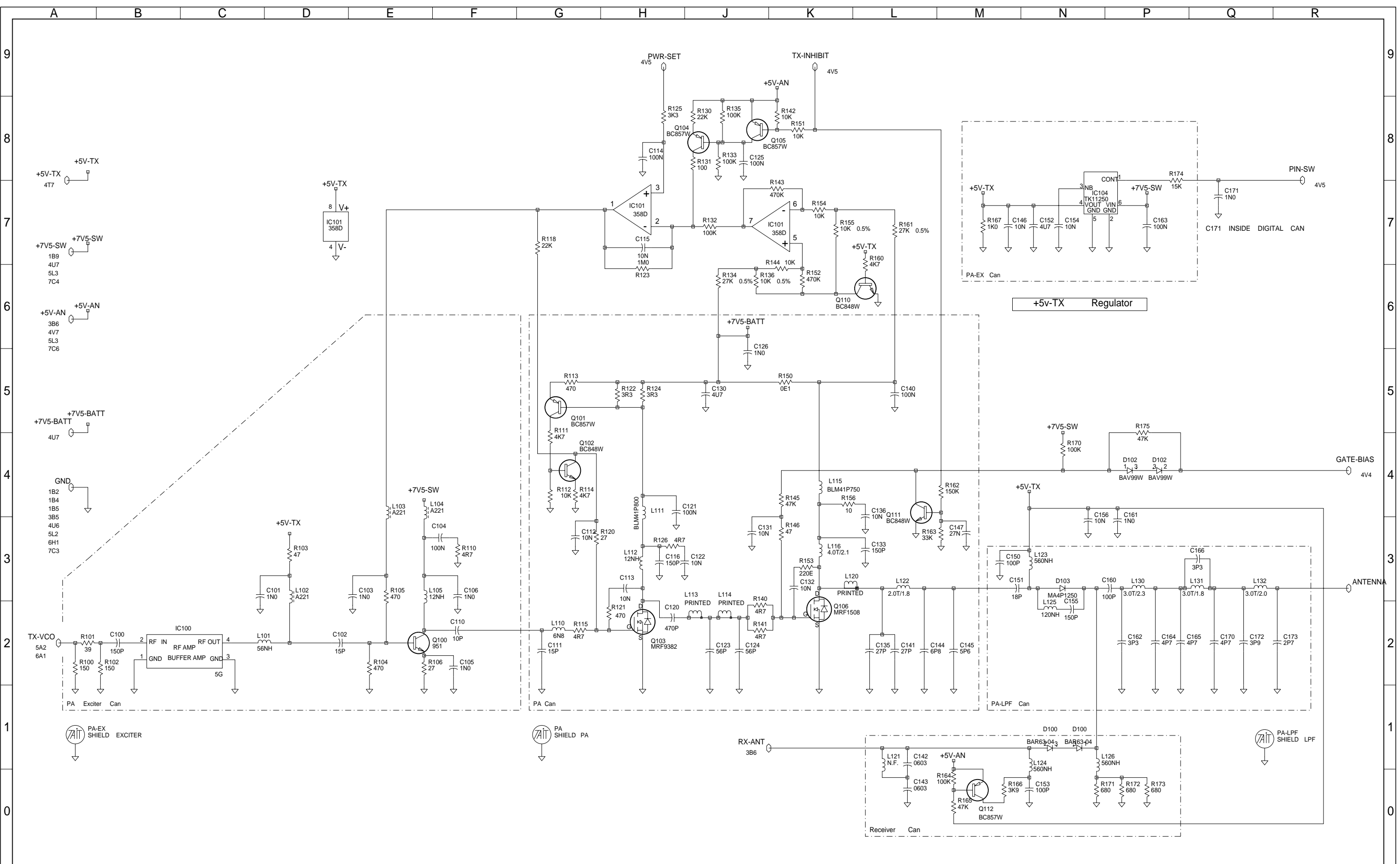
05C	PROFLOW PASTE SCREEN	BRD		22-02-03		
05B	CCO 1603/009	CM		02/02/00		
05A	CCO 1603-008 BCU TRACK 2 VIAS	TS		15-12-99		
04B	CCO 1603/007	TS		18-11-99		
04A	CCO 1603/004 1603/005 1603/006	CJK		05/11/99		
03A	CCO 1603/003	CJK	SP	6/10/99		
02A	CCO 1603/001 & 002	CJK		24/09/99		
01A	NEW PA FOR 400-470 MHZ	CJK	JJ	10/06/99		
REV/ISS	AMENDMENTS	DRAWN	CHKD	D.O.	APVD	DATE



© **TAIT ELECTRONICS**  
ORCA : 400-470MHZ  
SYSTEM DIAGRAM

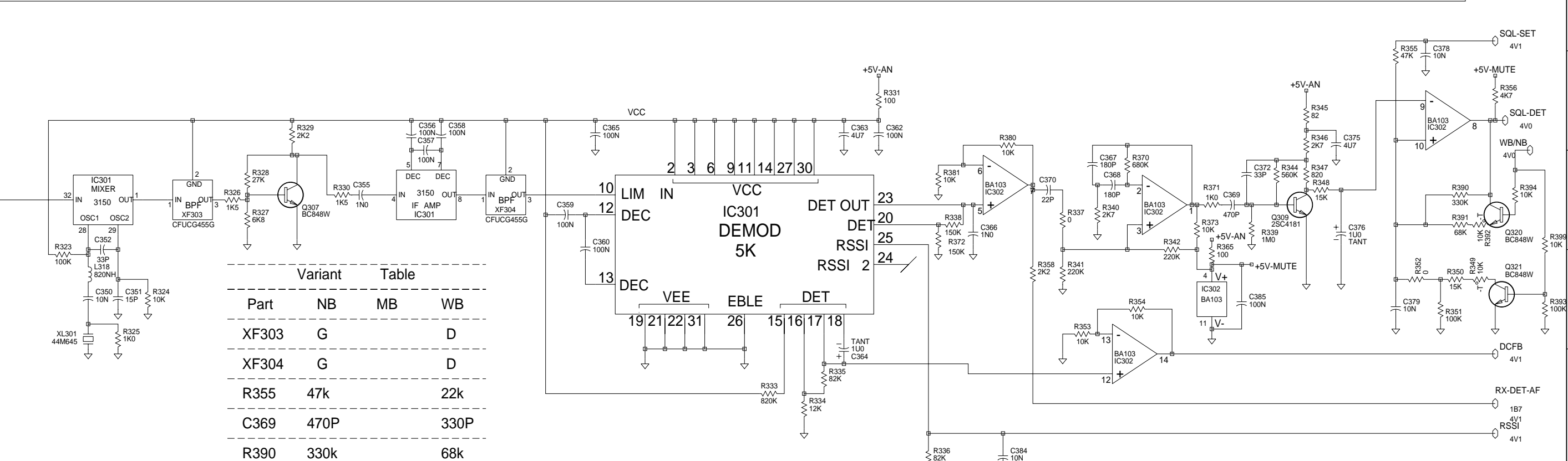
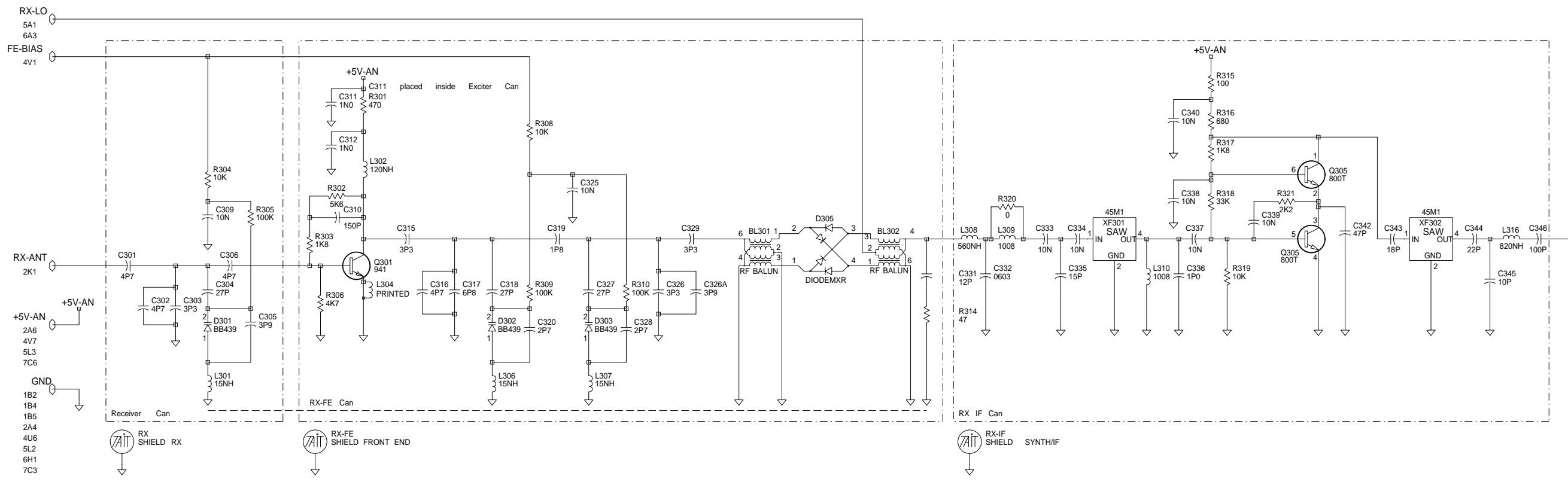
IPN: 220-01603-05 ID: D 2.SC. 1  
ISSUE: 1  
PROJECT: ORCA DESIGNER: BRD FILE NAME: 160305D FILE DATE: 18-Sep-02 NO.SHEETS: 7

05D	ECO	ADDED VARIANT R175	BRD			19-9-02
-----	-----	--------------------	-----	--	--	---------



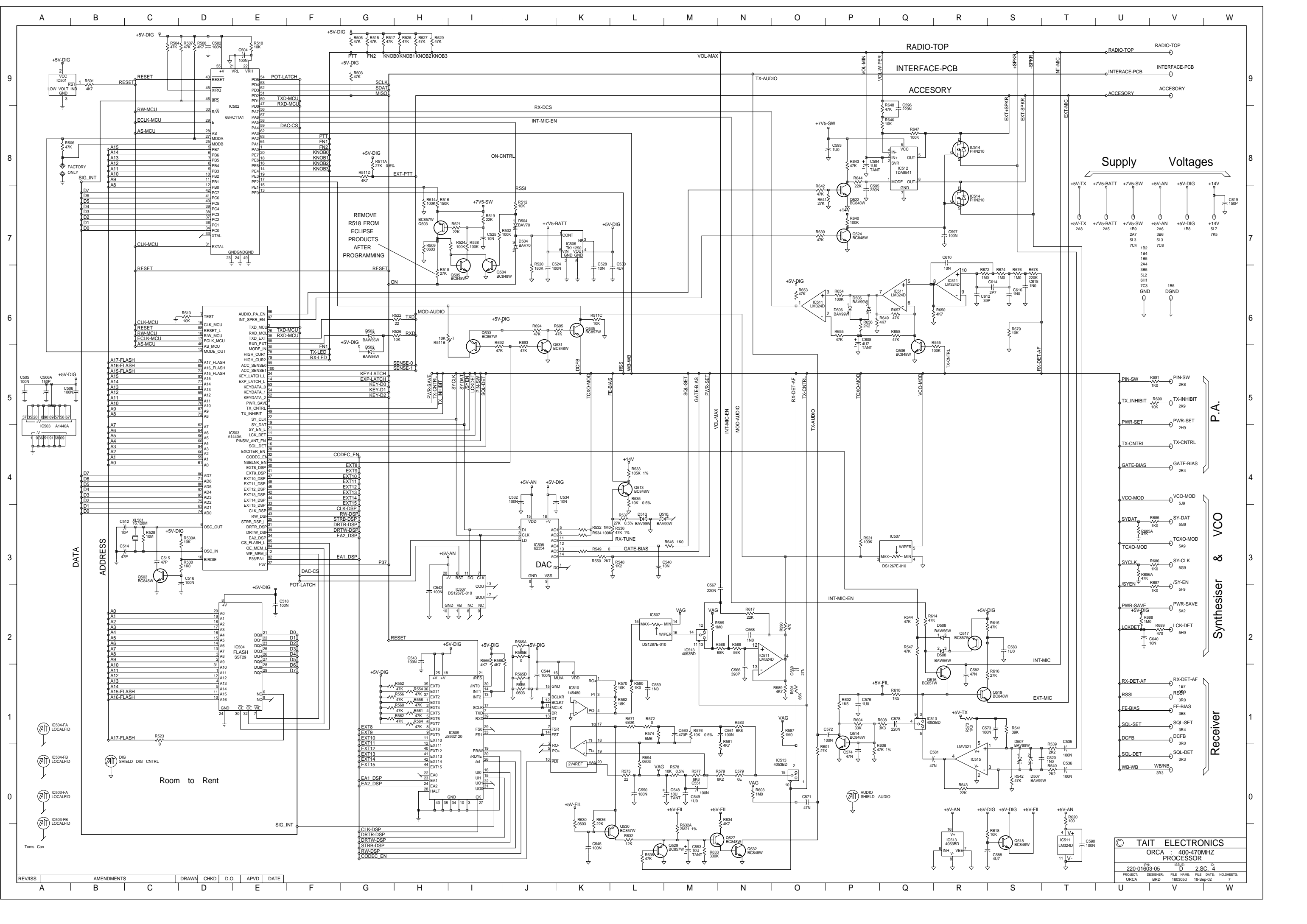
© TAIT ELECTRONICS  
 ORCA : 400-470MHZ  
 POWER AMPLIFIER  
 IPN: 220-01603-05 ISSUE: D 2.S.C. 2  
 PROJECT: ORCA DESIGNER: BRD FILE NAME: 160305d FILE DATE: 18-Sep-02 NO.SHEETS: 7

REV/ISS	AMENDMENTS	DRAWN	CHKD	D.O.	APVD	DATE
A						
B						
C						
D						
E						
F						
G						
H						
J						
K						
L						
M						
N						
P						
Q						
R						



© TAIT ELECTRONICS  
 ORCA : 400-470MHZ RECEIVER  
 IPN: 220-01603-05 ISSUE: D 2.SC. 3  
 PROJECT: ORCA DESIGNER: BRD FILE NAME: 160305D FILE DATE: 18-Sep-02 NO.SHEETS: 7

REV/ISS	AMENDMENTS	DRAWN	CHKD	D.O.	APVD	DATE

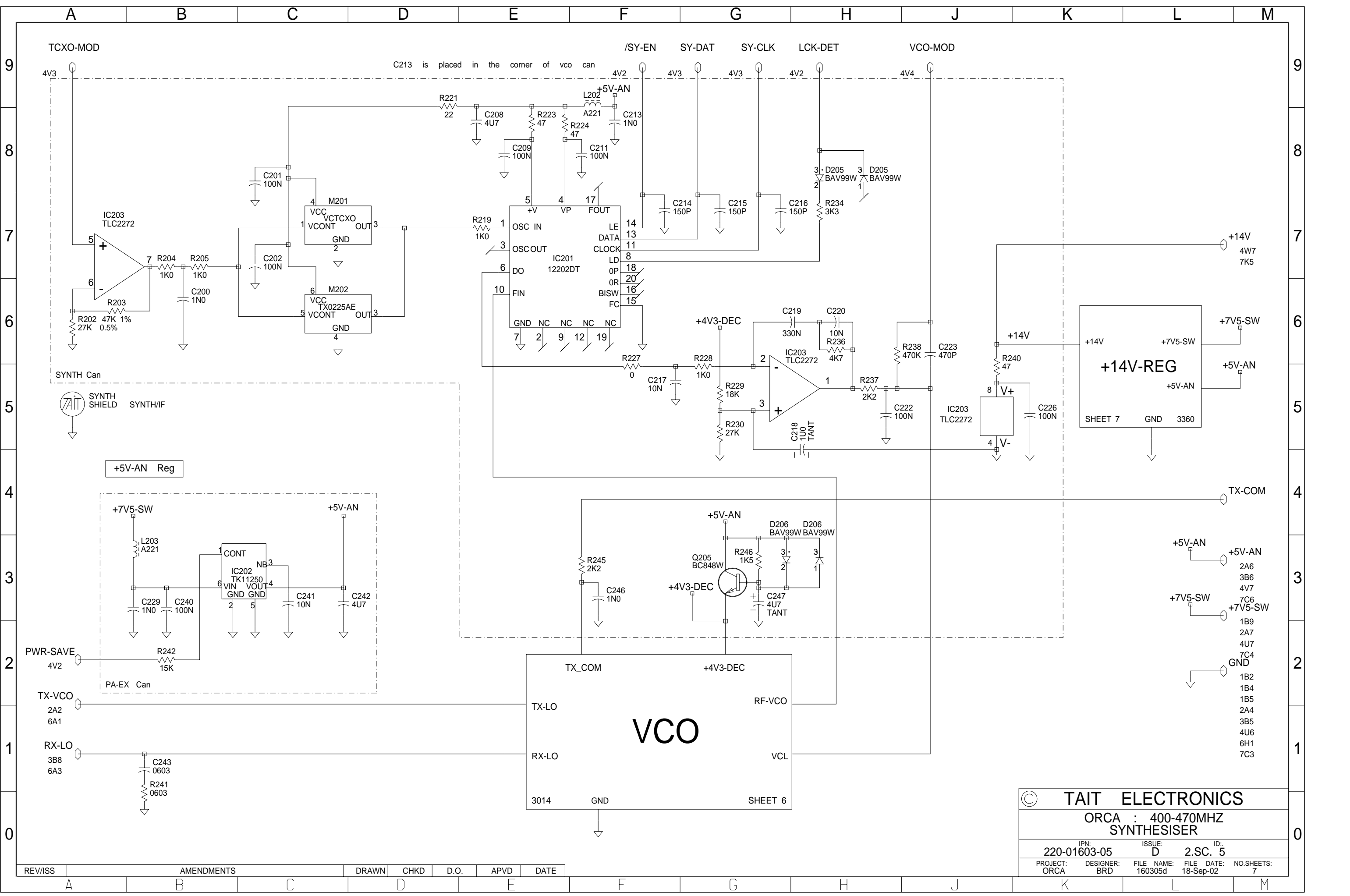


Room to Rent

© TAIT ELECTRONICS  
 ORCA - 400-470MHZ  
 PROCESSOR

REV	ISS	DATE
1	1	1998-02

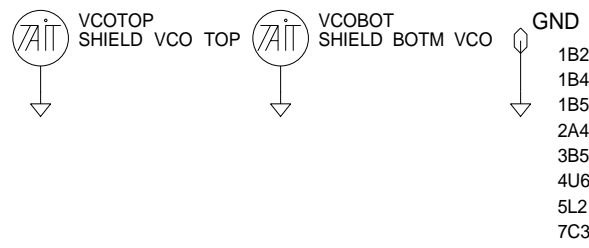
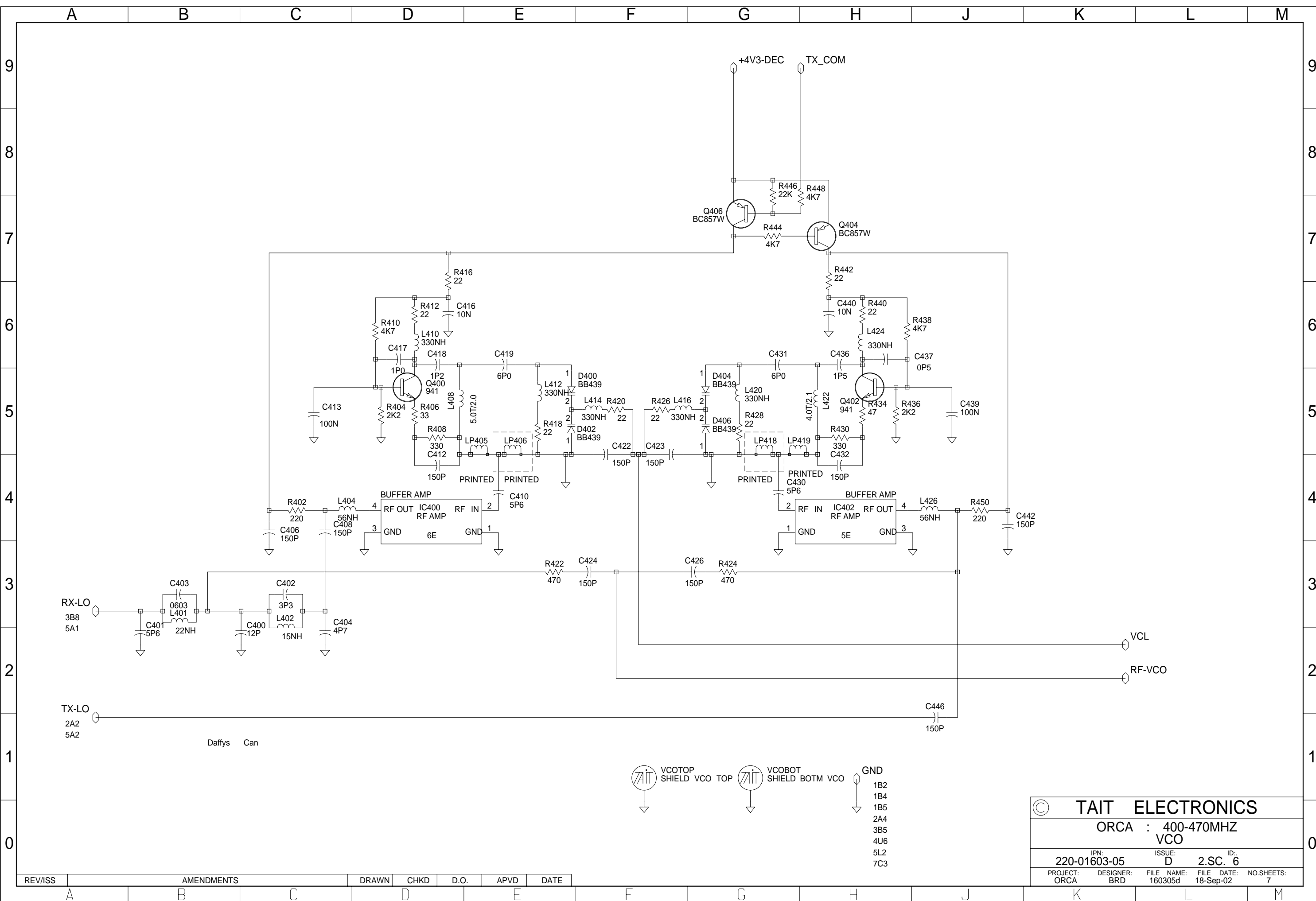
PROJECT: ORCA  
 DESIGNER: 160354  
 FILE NAME: 18-Sep-02  
 SHEETS: 7



© TAIT ELECTRONICS  
 ORCA : 400-470MHZ SYNTHESISER  
 IPN: 220-01603-05 ISSUE: D ID: 2.S.C. 5  
 PROJECT: ORCA DESIGNER: BRD FILE NAME: 160305d FILE DATE: 18-Sep-02 NO.SHEETS: 7

REV/ISS	AMENDMENTS	DRAWN	CHKD	D.O.	APVD	DATE

- TX-COM
- +14V 4W7 7K5
- +7V5-SW
- +5V-AN
- +14V-REG SHEET 7 GND 3360
- +14V
- +7V5-SW
- +5V-AN
- TX-LO
- RX-LO
- TX-VCO 2A2 6A1
- RX-LO 3B8 6A3
- +5V-AN 2A6 3B6 4U7 7C6
- +7V5-SW 1B9 2A7 4U7 7C4
- GND 1B2 1B4 1B5 2A4 3B5 4U6 6H1 7C3



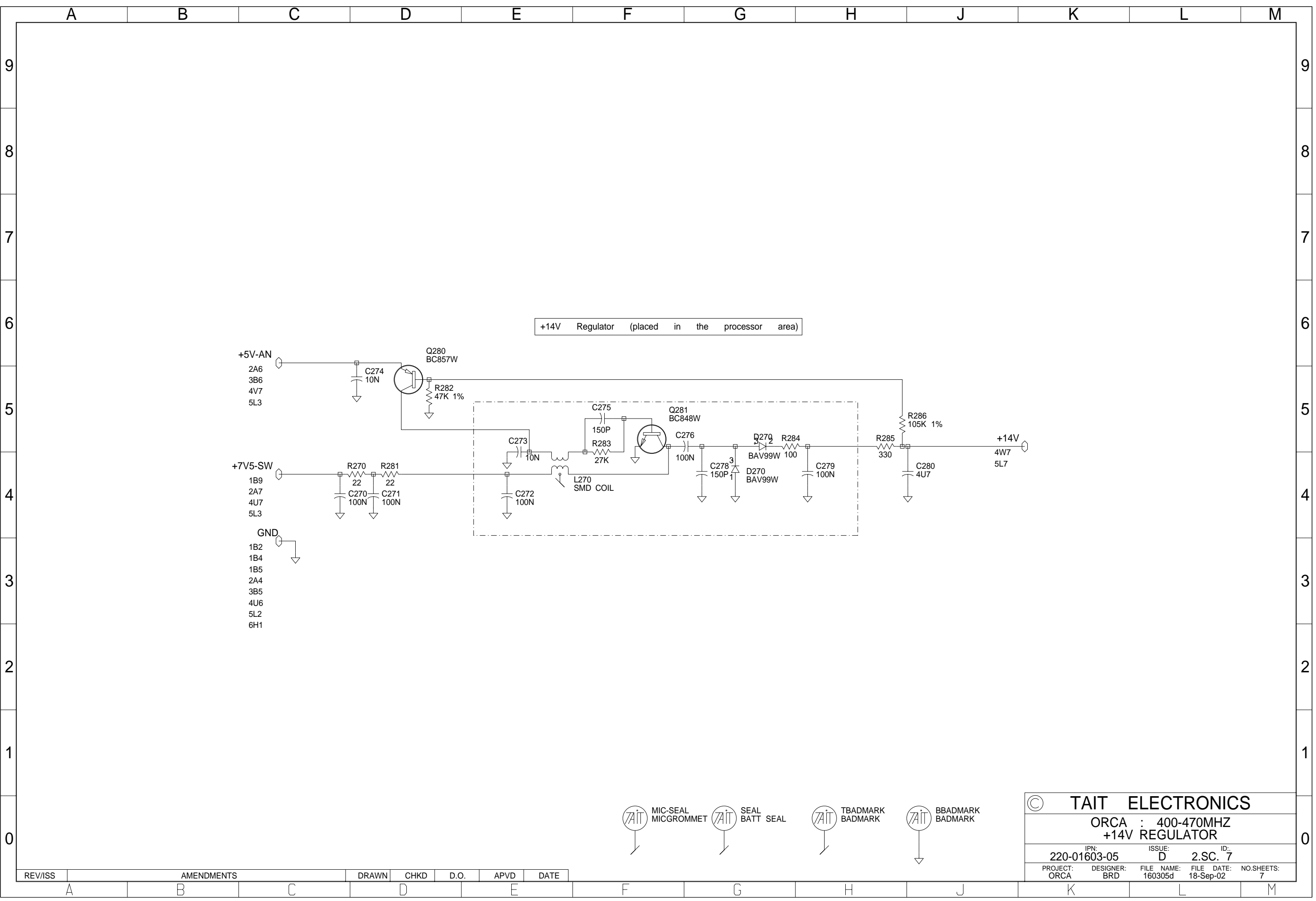
© TAIT ELECTRONICS

ORCA : 400-470MHZ VCO

IPN: 220-01603-05    ISSUE: D    ID: 2.S.C. 6

PROJECT: ORCA    DESIGNER: BRD    FILE NAME: 160305d    FILE DATE: 18-Sep-02    NO.SHEETS: 7

REV/ISS	AMENDMENTS	DRAWN	CHKD	D.O.	APVD	DATE



+14V Regulator (placed in the processor area)

+5V-AN  
2A6  
3B6  
4V7  
5L3

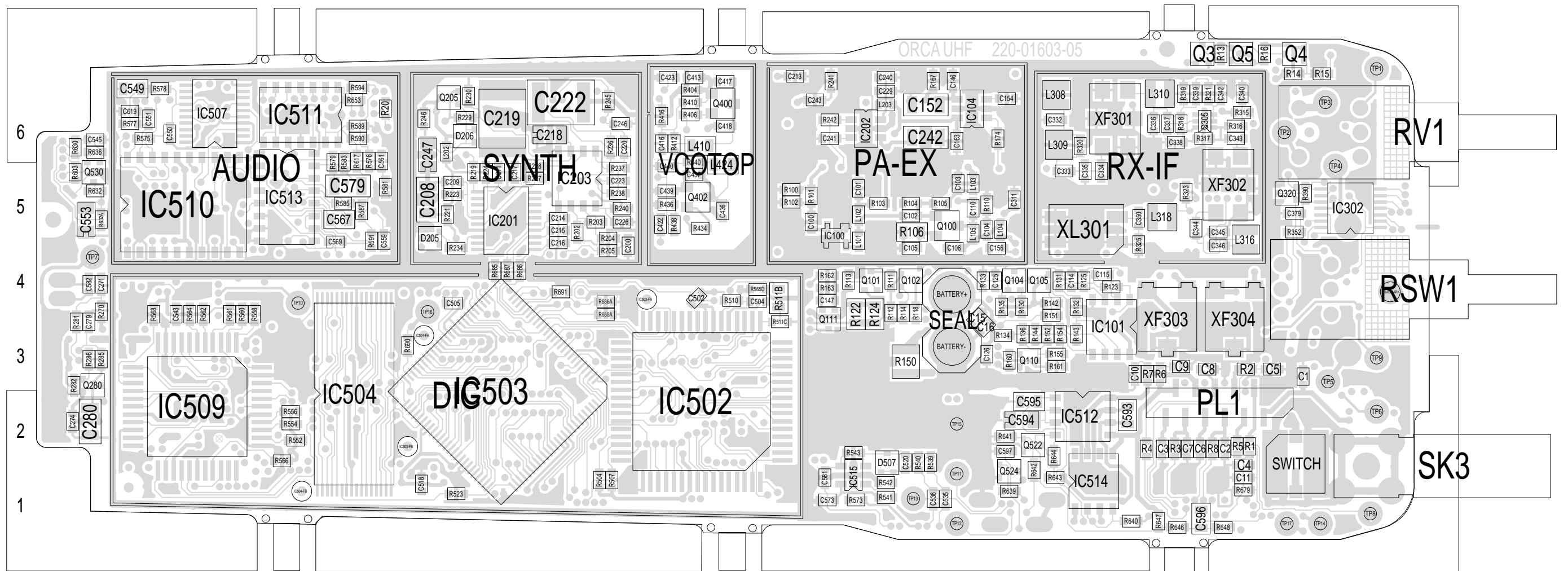
+7V5-SW  
1B9  
2A7  
4U7  
5L3

GND  
1B2  
1B4  
1B5  
2A4  
3B5  
4U6  
5L2  
6H1

© TAIT ELECTRONICS  
 ORCA : 400-470MHZ  
 +14V REGULATOR  
 IPN: 220-01603-05 ISSUE: D ID: 2.SC. 7  
 PROJECT: ORCA DESIGNER: BRD FILE NAME: 160305d FILE DATE: 18-Sep-02 NO.SHEETS: 7

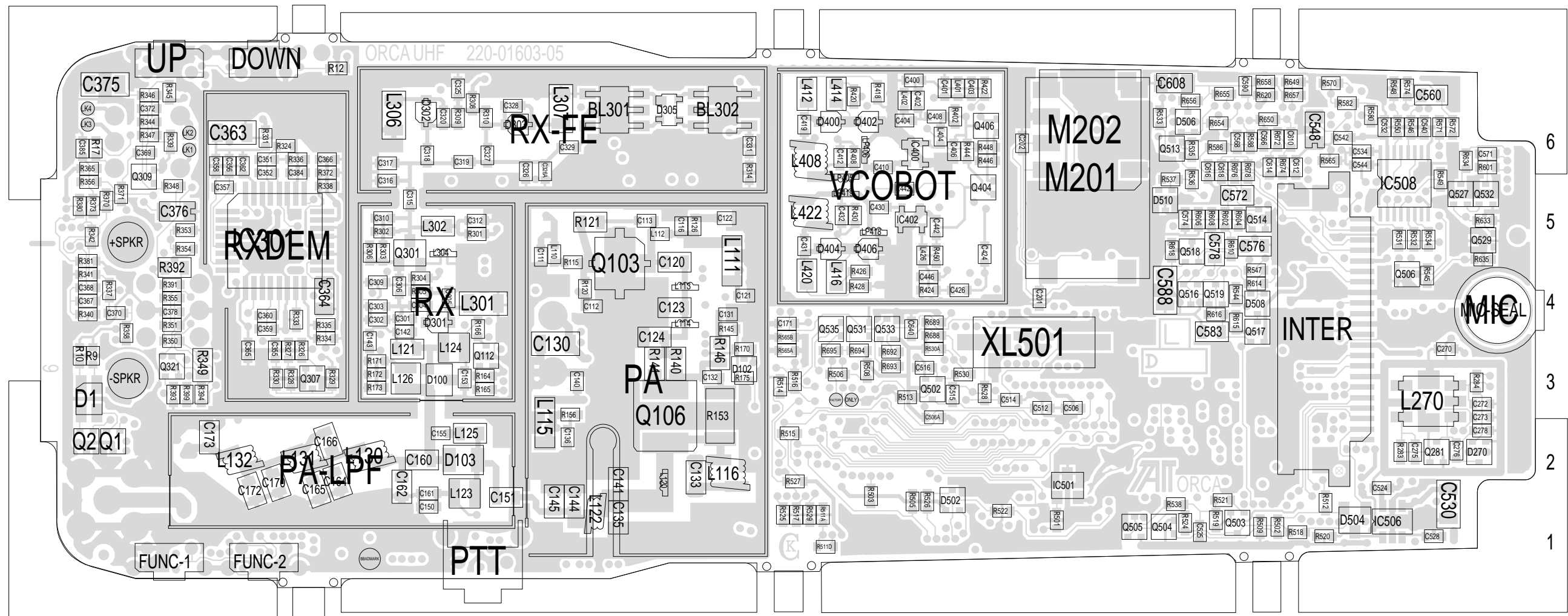
- MIC-SEAL MICGROMMET
- SEAL BATT SEAL
- TBADMARK BADMARK
- BBADMARK BADMARK

REV/ISS	AMENDMENTS	DRAWN	CHKD	D.O.	APVD	DATE



TAIT ELECTRONICS IPN: 220-01603-05 ISS: D ID: 1.TA DATE: 18 Sep 2002  
 ORCA UHF PCB LAYOUT - TOP SIDE





TAIT ELECTRONICS IPN: 220-01603-05 ISS: D ID: 6.BA DATE: 18 Sep 2002  
 ORCA UHF PCB LAYOUT - BOTTOM SIDE